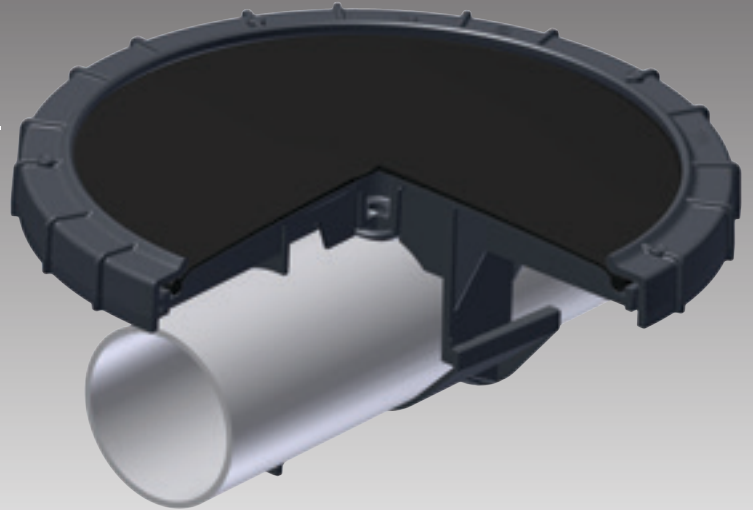


Integral Saddle Mount (ISM) Disc Diffuser

featuring FlexAir® Membrane Technology

The strongest
diffuser mount
on the market —
guaranteed.



SADDLE
SADDLE

unmatched
strength
and
reliability

Why the 9" & 12" ISM Disc is the best on the market

- 3 times stronger than conventional mounting or push-on systems
- Pre-assembled and leak tested in our facilities
- High-capacity membrane option available for maximum airflow and low operating pressure
- Fits on any 3-inch or 4-inch pipe
- Glass-fiber-reinforced polypropylene construction for maximum chemical, temperature, and UV resistance
- Patented KlicLoc™ retainer for positive mechanical lock



To learn more about the Integral Saddle Mount Diffuser, call or visit us online today.

Environmental Dynamics International
+1 573.474.9456 or 877.EDI.AIR8
www.environmentaldynamics.com



eration for life™

MADE IN THE USA

SLS_ISM_0116