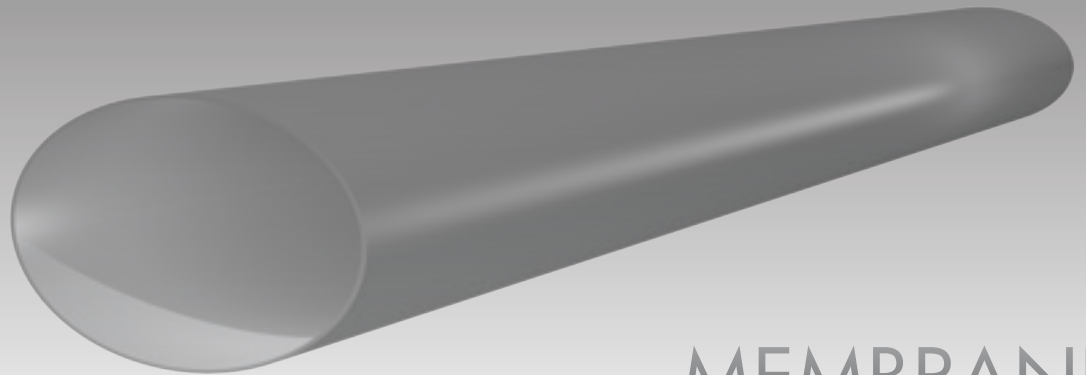


# Silicone Membrane Material

Polymeric Organosilicon

We have tested ours against everyone else's—ours wins, guaranteed!

unmatched  
mechanical  
strength and  
reliability



MEMBRANE  
MEMBRANE

## Why EDI's Silicone Membrane is the best on the market

- The most efficient silicone membrane
- Available in 12-inch disc or 90 mm & 110 mm tube
- Mounts on pipe material (PVC, ABS, CPVC, & SS)
- Rugged heavy-duty construction



To learn more about the Silicone Membrane, call or visit us online today.

Environmental Dynamics International  
+1 573.474.9456 or 877.EDI.Air8  
[www.EnvironmentalDynamics.com](http://www.EnvironmentalDynamics.com)



aeration for life

**MADE IN THE USA**

SLS\_SM\_0116