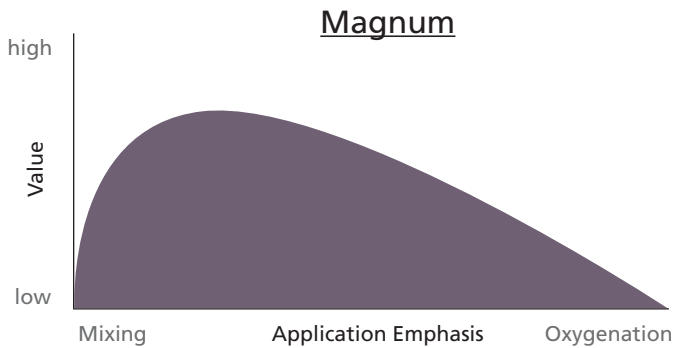
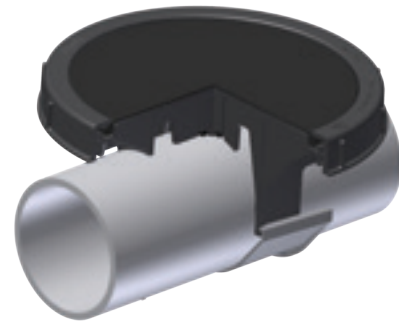
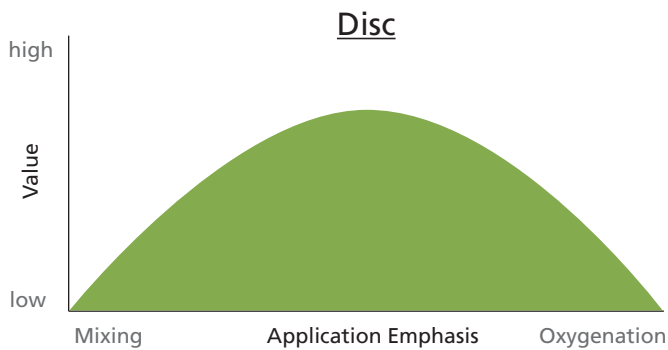




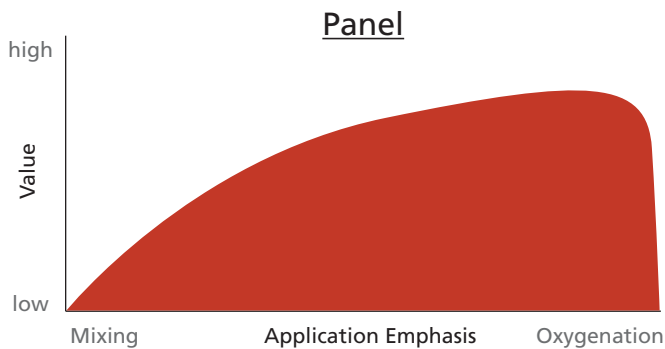
Solutions Powered by EDI FlexAir® Fine Bubble Aeration Products



Maximum air capacity per tank area • Highest installable diffuser density • High mixing capacity



Economical System • Moderate installable diffuser density • Traditional fine bubble OTE performance



High installable diffuser density • Low operating flux rate for high OTE • Lowest TOC solution