



a division of Environmental Dynamics International

Parts Catalog



5601 Paris Road
Columbia, MO 65202
Tel: 573-474-9456
sales@diffuserexpress.com
www.diffuserexpress.com

Dear Valued Customer,

Welcome to Diffuser Express®, a service division of EDI, committed to excellence in supplying diffusers, membranes, and specialty diffuser items for new and existing water and wastewater treatment applications. The programs available from Diffuser Express are structured to deliver EDI's quality products with "express" service and competitive pricing. Diffuser Express services all major brands.

The Diffuser Express catalog and our online catalog is your connection to EDI's advanced technology aeration products for new construction and upgrade projects. Diffuser Express also stocks a multitude of replacement membranes and parts to upgrade your existing systems for improved operating efficiency or increased capacity.

EDI's products will keep your aeration system at the front edge of technology. Our flexible membrane diffusers employ proprietary materials and specialized manufacturing techniques for maximum oxygen transfer efficiency, air handling, and service life performance.

When application know-how or total system design assistance is required, Diffuser Express can serve as a direct link to EDI's Application Engineering Group. From here, you will benefit from the vast aeration and biological treatment expertise that EDI has amassed from servicing over 400 million customers from around the world since 1975.

EDI is confident that you will be pleased with the quality products and customer service provided from Diffuser Express and we look forward to improving the performance of your aeration and biological treatment system.

Sincerely,

Environmental Dynamics International

CONTENTS

FlexAir Fine Bubble Systems

T-Series Diffusers.....	3
Threaded Disc Diffusers.....	4
Saddle Mounted Disc Diffusers.....	5
Integral Disc	
Ceramic Disc	
FlexAir Fine Bubble Product Data.....	6

PermaCap/MaxAir SS Coarse Bubble Systems

PermaCap Diffuser.....	7
Product Data	
MaxAir SS Diffuser.....	8
Product Data	

Specialty Items

Tube Items.....	9
Disc Items.....	11

Membrane Replacements

Tube/Disc Replacements.....	13
by manufacturer.....	14
by size.....	15

Commercial Information.....	16
-----------------------------	----

T-Series Diffuser

The FlexAir™ T-Series diffuser unit is a fine pore, flexible membrane diffuser capable of providing a high level of oxygen transfer efficiency with maximum operating flexibility.

T-Series units are configured with a premium quality EPDM rubber membrane sleeve specifically perforated for high volumetric air-handling capacity. For industrial and non-standard domestic applications, alternate membrane materials including urethane, silicone, and other specialty polymers are available.

Alternate perforation patterns are available for energy sensitive applications or where maximum

oxygen transfer efficiency is desired. EDI also offers a variety of sizes of diffusers to meet airflow requirements.

The FlexAir T-Series diffuser unit may be operated over a wide range of airflows and requires minimum maintenance for long-term performance. The triple-check valve system eliminates the intrusion of water and solids into the diffuser unit and air supply piping under normal operation conditions.

Standard T-Series diffusers with 3/4-inch NPT (male) stainless steel nipples are factory assembled and ready for installation. For specialty applications alternate inlet connections are available.

T-Series Diffuser

Specifications:

Diffuser body constructed of ABS and PVC; alternate materials available.

Standard configuration includes 3/4-inch stainless steel nipple installed. The stainless steel nipple can also be shipped loose, or EDI can provide a thru-mount connection for mounting units on square tubing.

Standard diffuser membranes are EPDM and PU, with Silicone and PTFE membranes available.

Multiple lengths and diameters available.

Membranes held in place with 304 SS clamps. 316 SS clamps available. Call for pricing.

Benefits:

Economical capital cost and ease of installation

Designed for coarse bubble diffuser to fine bubble diffuser upgrades

More energy efficient than coarse bubble

Several membrane perforation patterns from which to choose



Please contact Diffuser Express with technical questions regarding product selection.

1-877-EDI-AIR8 (334-2778) or 573-474-9456

email: sales@diffuserexpress.com

Disc Diffusers

The FlexAir™ disc diffuser is a fine pore flexible membrane or ceramic media diffuser that provides operational flexibility with maximum oxygen transfer efficiency.

For ease of installation and maintenance, EDI's disc diffusers offer two connection methods: threaded and integrated saddle mount. The threaded disc diffuser can be installed in any 3/4-inch fitting or pipe nipple. Pipe with wall thickness equal to or greater than SCH40 can be drilled and tapped for connecting the diffuser. Additionally, diffusers can be installed using UDM (see "Specialty Disc Diffuser Items") when using thinner wall pipe for air distribution.

The 9-inch diameter diffuser is also available with EDI's innovative Integral Saddle Mount, which provides unmatched mechanical strength.

Disc diffusers are constructed of glass-filled polypropylene and suitable for deep tank (high-temperature) applications. Alternate materials of constructions are available for special applications.

FlexAir disc diffuser units are available with premium quality EPDM membranes. Multiple perforation patterns are available to optimize system performance. The flexible membrane diffusers incorporate a triple-check valve design to prevent intrusion of liquid or solids into the diffuser or air piping under normal on/off operating conditions.

The 9-inch Spectrum Saddle Mounted Diffuser is also available with premium quality ceramic media diffusers. The ceramic disc diffuser is best suited for continuous aeration applications where maximum online service life is required.

Threaded Disc Diffuser

Specifications:

Exclusively available in 7", 9" & 12" models

Glass fiber-reinforced polypropylene construction for maximum chemical, temperature, and UV resistance

Advanced technology premium-quality membrane materials available in EPDM and other special polymer blends

Resistant to fouling and plugging for low maintenance

High-capacity membrane option available for maximum airflow and low operating pressure

Benefits:

Economical capital cost and ease of installation

Available in 7", 9", & 12" or 90mm & 110mm

Mounts on any pipe material (PVC, ABS, CPVC, & SS)

Patented EZ Seal for quick hand-tight seal

Rugged heavy-duty construction

Pre-assembled in our facilities



Please contact Diffuser Express with technical questions regarding product selection.

1-877-EDI-AIR8 (334-2778) or 573-474-9456

email: sales@diffuserexpress.com

Integral Saddle Mounted Disc Diffuser

Specifications:

Exclusively available for 9" and 12" diameter discs

Glass fiber-reinforced polypropylene construction for maximum chemical, temperature, and UV resistance

Advanced technology premium-quality membrane materials available in EPDM and other special polymer blends

Triple-check valve design prevents entry of liquid/solids into piping. Ideal for on/off applications

Resistant to fouling and plugging for low maintenance

Integral Saddle Mount provides ease of installation and maintenance

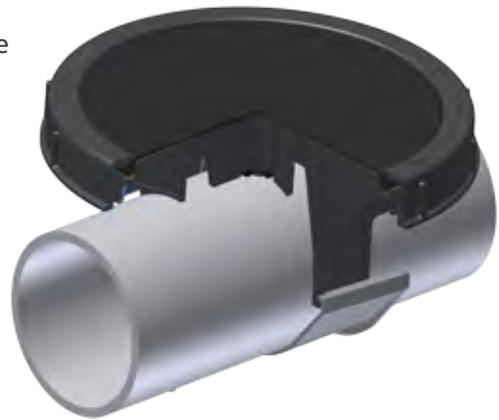
High-capacity membrane option available for maximum airflow and low operating pressure

Benefits:

3 times stronger than conventional mounting or push-on systems

Pre-assembled and leak tested in our facilities

Patented KlicLoc™ retainer for positive mechanical lock



Spectrum™ Ceramic Saddle Mounted Disc Diffuser

Specifications:

Base and ring are constructed of glass-filled polypropylene.

Spectrum™ Saddle Mount withstands 200-pound edge load without failure with KlicLoc™ retainer for positive mechanical mount.

Standard diffuser media is aluminum oxide.

Available saddle sizes: 3", 4", 90mm, 110mm diameter pipe.

Ceramic and membrane media options are interchangeable.



Please contact Diffuser Express with technical questions regarding product selection.

1-877-EDI-AIR8 (334-2778) or 573-474-9456

email: sales@diffuserexpress.com

FlexAir™ Fine Bubble Parts

Product Data

T-Series Diffuser

Part Number	Model	Membrane Material	Design Airflow		Active Surface Area		Diffuser Dimensions	
			scfm	Nm ³ /hr	ft ²	m ²	DxL	DxL
00249	62x610	Urethane	2-8	3-14	1.00	.09	2.6x24	66x610
00250	62x610	EPDM	2-8	3-14	1.00	.09	2.6x24	66x610
00251	62x650	Urethane	2-9	3-15	1.07	.1	2.6x26	66x650
00252	62x650	EPDM	2-9	3-15	1.07	.1	2.6x26	66x650
01202	62x762	Urethane	3-10	5-17	1.28	.12	2.6x30	66x762
01026	62x762	EPDM	3-10	5-17	1.28	.12	2.6x30	66x762
01030	62x1003**	Urethane	3-14	5-24	1.71	.16	2.6x39	66x1003
01029	62x1003**	EPDM	3-14	5-24	1.71	.16	2.6x39	66x1003
00253	91x502	Urethane	4-13	7-22	1.25	.12	3.7x20	95x502
00256	91x502	EPDM	4-13	7-22	1.25	.12	3.7x20	95x502
00259	91x762	Urethane	7-20	12-34	1.97	.18	3.7x30	95x762
00262	91x762	EPDM	7-20	12-34	1.97	.18	3.7x30	95x762
00265	91x1003**	Urethane	9-27	15-46	2.64	.25	3.7x39	95x1003
00268	91x1003**	EPDM	9-27	15-46	2.64	.25	3.7x39	95x1003

*Peak airflow is approx twice the design airflow

Threaded Disc Diffuser

Part Number	Model	Design Airflow		Active Surface Area		Diffuser Diameter	
		scfm	N m ³ /hr	ft ²	m ²	in	mm
01691	7" Micro	3.0	4.8	.26	.024	9.0	299
02001	7" High Capacity	7.5	12	.26	.024	9.0	229
01798	9" Micro	6.0	9.5	.41	.038	10.9	277
01799	9" High Capacity	10	16	.41	.038	10.9	277
06078	12" Micro	9.4	15	.64	.059	12.9	328
06080	12" High Capacity	16	25	.64	.059	12.9	328

*Peak airflow is approx twice the design airflow

Integral Saddle Mount Diffuser

Part Number	Model	Design Airflow		Active Surface Area		Diffuser Diameter	
		scfm	N m ³ /hr	ft ²	m ²	in	mm
CALL	9" Micro	6.0	9.5	0.41	0.038	10.9	277
CALL	9" High Capacity	10	16	0.41	0.038	10.9	277
CALL	12" Micro	9.4	15	0.64	0.059	12.9	328
CALL	12" High Capacity	16	25	0.64	0.059	12.9	328

*Peak airflow is approx twice the design airflow

Spectrum™ Ceramic Saddle Diffuser

Part Number	Model	Design Airflow		Active Surface Area		Diffuser Diameter	
		scfm	N m ³ /hr	ft ²	m ²	in	mm
CALL	9" Standard	10	16	.41	.038	10.9	277

*Peak airflow is approx twice the design airflow

Coarse Bubble Systems

PermaCap™ Coarse Bubble Diffuser

EDI PermaCap diffusers are effective and efficient coarse bubble membrane diffuser units. PermaCap coarse bubble units offer great value as a low-cost aeration/mixing solution.

PermaCap units are configured with a premium-quality EPDM membrane perforated to minimize bubble coalescence. The flexible membrane is specifically designed to exclude solids and provide long-term trouble-free operation. Diffuser base and retaining ring are manufactured from durable ABS.

The PermaCap diffuser may be operated over a wide range of airflows and requires minimum maintenance for long-term performance. The

integral check valve eliminates the intrusion of water and solids into the air piping under normal on/off operations.

PermaCap units are available with either 3/8-inch diameter NPT (male) or 3/4-inch diameter NPT (male) threaded inlet to allow quick and simple installation into threaded pipe applications. 3/4-inch units can be mounted using the Universal Diffuser Mount (see "Specialty Disc Diffuser Items").

Units are particularly suited for single drop pipe installation in package treatment plants and channel aeration. Units are suitable for mounting on either the top or bottom of the air distribution piping.

PermaCap™ Coarse Bubble Diffuser

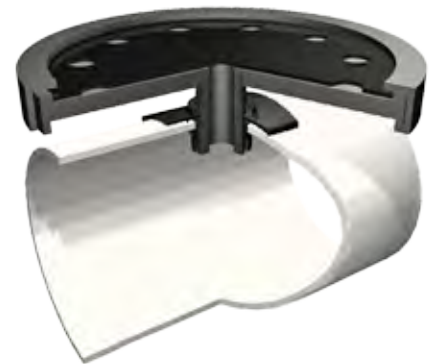
Specifications:

Base and ring are constructed of ABS.

Base unit connection is 3/4" or 3/8" male NPT.

Standard diffuser membranes are EPDM.

Larger 5" diameter for maximum air distribution



Part Number	Model	Design Airflow		Diffuser Diameter	
		scfm	N m ³ /hr	in	mm
00732	Coarse 3/8"	2-20	2-32	5.0	127
00137	Coarse 3/4"	2-20	2-32	5.0	127
00831	Medium 3/8"	1-8	1-13	5.0	127
00555	Medium 3/4"	1-8	1-13	5.0	127

Please contact Diffuser Express with technical questions regarding product selection.

1-877-EDI-AIR8 (334-2778) or 573-474-9456

email: sales@diffuserexpress.com

Coarse Bubble Systems

MaxAir™ SS Coarse Bubble Diffuser

EDI MaxAir SS diffusers are stainless steel coarse bubble diffuser assemblies used for maximum mixing applications. Units offer superior coarse bubble distribution and maximum air-handling capacity with good oxygen transfer.

Diffusers are constructed of superior materials for long service life. Diffuser body is heavy gauge 316 SS sheet and is continuous welded to 316 SS cast inlet and ends.

MaxAir SS units can be applied in even the most demanding aeration/mixing applications including flow equalization, channel mix/aerate, and aerobic digester aeration/mixing applications.

The open bottom construction minimizes possible entrapment of solids in the unit when shut off providing superior long-term operation. If required EDI can supply the MaxAir units with an optional deflector installed.

MaxAir SS diffusers employ a 3/4-inch diameter NPT (male) threaded inlet for ease of installation and universal application. EDI offers 12-inch and 24-inch SS MaxAir Diffuser Units to meet your application needs.

MaxAir™ SS Coarse Bubble Diffuser

Specifications:

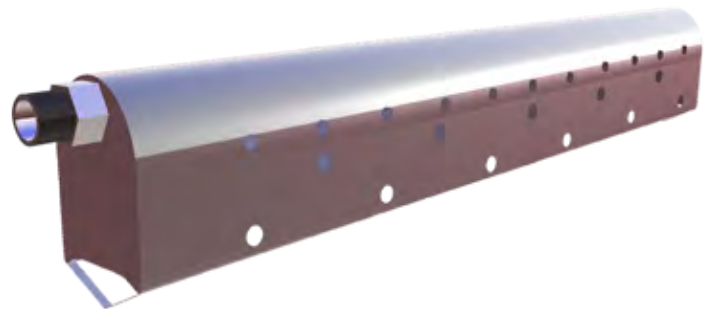
Heavy duty 316 SS construction

3/4" male NPT nipple for connection

Cast inlet and end cap

Continuous welded construction

Open bottom or closed bottom (with deflector) options



Part Number	Model	Design Airflow		Length	
		scfm	N m ³ /hr	in	mm
00864	12" Open Bottom	0-30	0-48	12.4	315
00866	12" w/ Deflector	0-30	0-48	12.4	315
00865	24" Open Bottom	0-55	0-87	24.0	620
00867	24" w/ Deflector	0-55	0-87	24.0	620

Please contact Diffuser Express with technical questions regarding product selection.

1-877-EDI-AIR8 (334-2778) or 573-474-9456

email: sales@diffuserexpress.com

Specialty Diffuser Items

Tube Diffuser

Stainless Steel Clamps For Tube Membranes

304 SS Standard with 316 SS available, Special Order

304 SS clamps are typically stock items. 316 SS clamps stocked in some sizes. Non-stocked sizes may have 4–6 week lead time.



Crimper Tool For SS Clamps

Part Number
00278



Replacement Polyurethane Flapper Check Valve for Wyss® Unit

Part Number
00277



Thru-Tube Mounting Connection Kit

The Thru Tube Mounting Connection Kit consists of a stainless steel nipple with air inlet holes and two special EPDM rubber gaskets. The gaskets provide a seal and also serve as a bushing to hold the assembly in the center of the air piping. The stainless steel nipple joins the two diffusers to complete the connection. The kit is designed to mount T-Series diffusers to square or rectangular air piping. Reference the diffusers in the T-Series section to select the proper diffuser for your application. Call for part number and pricing. Specify the air piping cross section dimension as well as the diameter of the outlet holes.



EDI 316 SS Cast Diffuser Mount

The special 316SS diffuser mount tee is designed to mount 3/4-inch coarse bubble or fine bubble threaded tube diffusers on SS pipe. The mount is cast for maximum strength. A large diameter pipe contact area reduces pipe fatigue, making the diffuser mount suitable for even thin wall pipe. A special leveling bar on the bottom of the mount is utilized during the fabrication process to ensure diffusers will be level when installed. The 316SS material can be used with either 304SS or 316SS pipe.



Please contact Diffuser Express with technical questions regarding product selection.

1-877-EDI-AIR8 (334-2778) or 573-474-9456

email: sales@diffuserexpress.com

Tube Diffuser Items

continued

Sanitaire® and Flygt™ 9-inch (230mm) Ceramic to Membrane Conversion Kit

The 9-inch (230mm) Ceramic to EPDM Conversion Kit for Sanitaire® Units consists of two pieces: one glass-reinforced polypropylene membrane support plate and one 9-inch diameter disc membrane.

Part Number
00309



AERCOR® and Norton™ 9-inch (230mm) Ceramic to Membrane Conversion Kit

Convert AERCOR™ and Norton™ holders for use with industry standard 9-inch disc membranes. Kit consists of two pieces: one glass-reinforced polypropylene membrane support plate and one 9-inch diameter disc membrane.

Part Number
00420



Nopon® and Water Engineerings/WABAG/Hawker-Siddley 7-inch (215mm) Porous Polyethylene to Membrane Conversion Kit

The 7-inch (215mm) Conversion Kit for Nopon and Water Engineering/WABAG/Hawker-Siddley™ Units consists of two pieces: one glass-reinforced polypropylene membrane support plate and one 7-inch diameter disc membrane.

Part Number
02140



Specialty Diffuser Items

Disc Diffuser

EIMCO™ Fine Bubble Disc to EDI™ Fine Bubble Disc Conversion

Convert the Eimco™ fine bubble disc diffuser to the industry standard 9-inch diameter disc membrane diffuser units. Kits consist of the EDI FlexAir™ 9-inch diameter advanced technology disc diffuser unit with 3/4-inch NPT adapter to convert existing 1-inch connection and EPDM gasket. Normal operating airflow is between 0.5–6.0 scfm per diffuser. High-capacity diffusers are available to meet high airflow applications.

Part Number
02799



AERCOR®/Norton™ 7-inch Ceramic Dome to Membrane Conversion Kit

Flexible membrane conversion for 7-inch diameter ceramic dome units (1/2-inch center bolt design) to industry standard 9-inch diameter disc membrane diffuser units. Conversion and upgrade provides major capacity increase, significant efficiency gains, and reduced maintenance requirements. Kits typically consist of EDI 9-inch diameter advanced technology disc diffuser unit with 3/4-inch NPT male threads, an adapter for 1/2-inch threads, EPDM gasket, and stainless bolt for unit connection. Normal operating airflow for the 9-inch diameter conversion unit is 0.5–6.0 scfm per unit. High-capacity diffusers are available to meet high airflow applications.

Part Number
00422

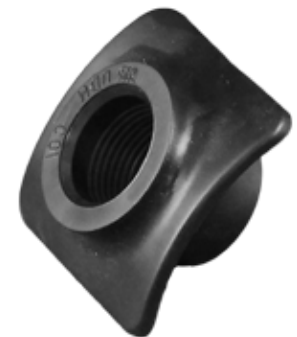


Universal Diffuser Mount

The Universal Diffuser Mount (UDM) for fine bubble or coarse bubble disc diffusers is designed to accept a 3/4-inch NPT diffuser connection. The UDM is engineered for use with 2.4-inch through 8.6-inch O.D. Pipe can be thin wall to heavy wall plastic or metal pipe. UDM can also be glued to PVC or ABS piping if desired. Installation includes drilling a 1 1/4-inch diameter hole, de-burring the hole, installing the UDM (with or without glue) and screwing the diffuser into the UDM. The UDM is to be used for mounting diffusers on the top or bottom of the lateral and is not recommended for sidewall mount of diffuser units.

Note: Special installation instructions included for each order.

Part Number
00308



Please contact Diffuser Express with technical questions regarding product selection.

1-877-EDI-AIR8 (334-2778) or 573-474-9456

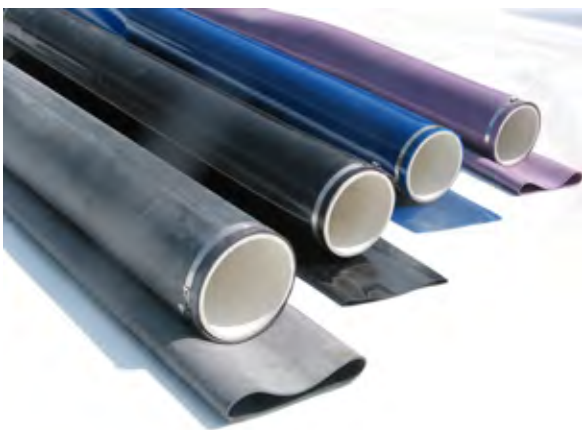
email: sales@diffuserexpress.com

Membranes

Environmental Dynamics International has recognized the significance of advanced technology membrane performance in the diffused aeration industry. Starting in 1985, EDI began significant research in diffuser membrane technology.

EDI's long-term research into membrane technology has allowed substantial advances in this technology that are currently available to EDI customers. Advanced membrane technology from EDI incorporates many integral features that differentiate our membranes and membrane performance from commercial products available in other parts of the industry. Since the diffuser membrane is the primary element in determining aeration system performance, our research has been well founded in developing the capabilities of EDI membrane diffuser systems that exceed the performance of any other diffuser systems currently available.

EDI's integrated design and manufacturing process controls the total membrane products from compounding through manufacturing and perforation. EDI offers a variety of sizes of membranes as well as a selection of engineered perforations to meet your application needs. EDI products deliver high efficiency and require less energy to operate. Reduced operation and maintenance costs for EDI systems and diffuser products present a great value to engineers, contractors, and operators.



Please contact Diffuser Express with technical questions regarding product selection.

1-877-EDI-AIR8 (334-2778) or 573-474-9456

email: sales@diffuserexpress.com

Membrane Replacements

Disc/Tube

Disc Membranes

Sanitaire® 9" Diameter

Aercor® 9" Diameter

EDI® 9" Diameter

SSI™ 9" Diameter

U.S. Filter™ 9" Diameter

Aquarius® 9" Diameter

Standard membrane materials:
EPDM (stocked), silicone, viton, nitrile
and other specialty polymers.

Tube Membranes

AquaAerobic™

Parkson™ Wyss™

Ecologix™

Parkson™ BioFuser™

EDI® FlexAir™

Sanitaire™

EnviroQuip™

Schreiber™

Gummi Jager™

SSI™

GVA™

U.S. Filter™

OTT™

Metric Sizes

Standard membrane materials:
EPDM and PU (stocked), HTPU, silicone, neoprene,
butyl, nitrile and other specialty polymers.

Replacement Disc Model	Part Number	Material	Diameter (US)	Diameter (Metric)
NOPOL™ 7" Disc	01319	EPDM	7"	177.8 mm
Sanitaire® 7" Disc	00919	EPDM	7"	177.8 mm
Sanitaire® 9" Disc	00223	EPDM	9"	228.6 mm
AERCOR® 9" Disc	00223	EPDM	9"	228.6 mm
EDI® 9" Disc	00223	EPDM	9"	228.6 mm
Aquarius® 9" Diameter	00223	EPDM	9"	228.6 mm
SSI™ 9" Disc	00223	EPDM	9"	228.6 mm
US Filter™ 9" Disc	00223	EPDM	9"	228.6 mm
Wilfley Weber™ Dura Disc Plus	00223	EPDM	9"	228.6 mm
NOPOL™ 12" Disc	01775	EPDM	12"	304.8 mm
EDI® 12" Disc	03529	EPDM	12"	304.8 mm

Please contact Diffuser Express with technical questions regarding product selection.

1-877-EDI-AIR8 (334-2778) or 573-474-9456

email: sales@diffuserexpress.com

Membrane Replacements

by manufacturer

Part Number	Manufacturer	Material	Membrane Diameter		Membrane Length		Material Thickness		
			in	mm	in	mm	in	mm	
	Environmental Dynamics Intl. (EDI)								
00232		Urethane	2.44	62	24.0	610	0.028	0.711	
00201		EPDM	2.44	62	24.0	610	0.078	0.711	
00231		Urethane	2.44	62	25.6	650	0.028	0.711	
00200		EPDM	2.44	62	25.6	650	0.078	1.981	
00322		Urethane	2.44	62	30.0	762	0.028	0.711	
00204		EPDM	2.44	62	30.0	762	0.078	1.981	
00334		Urethane	2.44	62	39.5	1003	0.078	1.981	
00202		EPDM	2.44	91	39.5	1003	0.078	1.981	
00243		Urethane	3.58	91	19.75	502	0.078	1.981	
00213		EPDM	3.58	91	19.75	502	0.078	1.981	
00244		Urethane	3.58	91	30.0	762	0.078	1.981	
00215		EPDM	3.58	91	30.0	762	0.078	1.981	
00239		Urethane	3.58	91	39.5	1003	0.078	1.981	
00211		EPDM	3.58	91	39.5	1003	0.078	1.981	
	Magnum Membranes MiniPanel Membranes OTT		Call Diffuser Express for quote						
01859		Urethane	2.56	65	29.5	750	0.028	0.711	
01858		EPDM	2.56	65	29.5	750	0.078	1.981	
00336		Urethane	2.56	65	29.5	1003	0.028	0.711	
00335		EPDM	2.56	65	29.5	1003	0.078	1.981	
03021		Urethane	2.56	65	40.4	1026	0.028	0.711	
03020		EPDM	2.56	65	40.4	1026	0.078	1.981	
	Parkson								
00344		Urethane	2.36	60	44.5	1130	0.018	0.457	
00229		Urethane	2.36	60	44.5	1130	0.028	0.711	
00333		EPDM	2.36	60	44.5	1130	0.078	1.981	
00342		Urethane	2.36	60	23.1	587	0.018	0.457	
00228		Urethane	2.36	60	23.1	587	0.028	0.711	
00319		EPDM	2.36	60	23.1	587	0.078	1.981	
	Sanitaire								
00232		MT-2 Urethane	2.44	62	24.0	610	0.028	0.711	
00201		MT-2 EPDM	2.44	62	24.0	610	0.078	1.981	
	Schreiber								
00325		Urethane	2.56	65	32.75	832	0.028	0.711	
00326		EPDM	2.56	65	32.75	832	0.078	1.981	
	U.S. Filter EnviroQuip								
00206		FlexLine Urethane	2.56	65	24.0	610	0.028	0.711	
00341		FlexLine EPDM	2.56	65	24.0	610	0.078	1.981	

*For Magnum™ or MiniPanel™ custom diffuser systems, call for a quote.

- EPDM Membrane standard thickness: 0.078" (1.981 mm)
- Urethane membrane standard thickness: 0.028" (0.711 mm)
- Parkson™ Original Equipment replacement urethane thickness: 0.018" (0.457 mm)
- Call for information on our available specialty tubes.
- Each membrane requires two clamps to attach to unit. (See Specialty Diffuser Items.)

Membrane Replacements

by size

Part Number	Model	Membrane Material	Tube Diameter		Tube Length		Wall Thickness	
			in	mm	in	mm	in	mm
00319	60x587	EPDM	2.31	58.7	23.1	587	0.078	1.981
00333	60x1130	EPDM	2.31	58.7	44.5	1130	0.078	1.981
00201	62x610	EPDM	2.38	60.3	24.0	610	0.078	1.981
00200	62x650	EPDM	2.38	60.3	25.6	650	0.078	1.981
00204	62x762	EPDM	2.38	60.3	30.0	762	0.078	1.981
00202	62x1003	EPDM	2.38	60.3	39.5	1003	0.078	1.981
00205	65x610	EPDM	2.44	62.7	24.0	610	0.078	1.981
01858	65x750	EPDM	2.44	62.7	29.5	750	0.078	1.981
00326	65x832	EPDM	2.44	62.7	32.7	832	0.078	1.981
00335	65x1003	EPDM	2.44	62.7	39.5	1003	0.078	1.981
03020	65x1026	EPDM	2.44	62.7	40.4	1026	0.078	1.981
00207	75x1003	EPDM	2.81	73.0	39.5	1003	0.078	1.981
00213	91x502	EPDM	3.5	88.9	19.75	502	0.078	1.981
00215	91x762	EPDM	3.5	88.9	30.0	762	0.078	1.981
00211	91x1003	EPDM	3.5	88.9	39.5	1003	0.078	1.981
00217	92x1003	EPDM	3.54	90.0	39.5	1003	0.078	1.981
00228	60x587	Urethane	2.31	58.7	23.1	587	0.028	0.711
00342	60x587	Urethane	2.31	58.7	23.1	587	0.018	0.457
00229	60x1130	Urethane	2.31	58.7	44.5	1130	0.028	0.711
00344	60x1130	Urethane	2.31	58.7	44.5	1330	0.018	0.457
00232	62x610	Urethane	2.38	60.3	24.0	610	0.028	0.711
00231	62x650	Urethane	2.38	60.3	25.6	650	0.028	0.711
00322	62x762	Urethane	2.38	60.3	30.0	762	0.028	0.711
00334	62x1003	Urethane	2.38	60.3	39.5	1003	0.028	0.711
00341	65x610	Urethane	2.44	62.7	24.0	610	0.028	0.711
01859	65x750	Urethane	2.44	62.7	29.5	750	0.028	0.711
00325	65x832	Urethane	2.44	62.7	32.7	832	0.028	0.711
00336	65x1003	Urethane	2.44	62.7	39.5	1003	0.028	0.711
03021	65x1026	Urethane	2.44	62.7	40.4	1026	0.028	0.711
00243	91x502	Urethane	3.50	88.9	19.7	502	0.028	0.711
00244	91x762	Urethane	3.50	88.9	30.0	762	0.028	0.711
00239	91x1003	Urethane	3.50	88.9	39.5	1003	0.028	0.711

*For Magnum™ or MiniPanel™ custom diffuser systems, call for a quote.

- EPDM Membrane standard thickness: 0.078" (0.1981 mm)
- Urethane membrane standard thickness: 0.028" (0.711 mm)
- Parkson™ Original Equipment replacement urethane thickness: 0.018" (0.457 mm)
- Call for information on our available specialty tubes.
- Each membrane requires two clamps to attach to unit. (See Specialty Diffuser Items.)

Purchase Info

Prices

Environmental Dynamics International (EDI) reserves the right to adjust sale prices without notice.

Shipping Policy

EDI will make every effort to ship orders for stock items within three days from receipt of an approved Purchase Order. Shipments for expedited freight will be given priority. For non-stock items, EDI will notify client of anticipated ship schedule. Ship schedules are subject to current workloads and may be adjusted to accommodate schedules.

Warranty

Products manufactured by Environmental Dynamics International are warranted to be free from defects in materials or workmanship for 18 months from the date of shipment or 12 months from the date of start-up, whichever comes first. Parts found to be defective in materials or workmanship will be repaired or replaced without charge, F.O.B. original point of shipment. The responsibility of EDI is limited to the cost of the defective part. Decomposition by chemical action and chemical precipitate, or wear caused by the presence of abrasive materials or faulty maintenance or operation shall not constitute defects. Claims for defective, damaged or improper material or for shortages will not be allowed unless written notice specifying the nature and extent of the defect, damage or shortage is received in the EDI's office within fourteen (14) days from unloading.

Freight Charges

Shipments will be made "Freight Collect" or from the account of the buyer. For approved accounts, EDI will prepay and add the freight to the invoice.

Ship Methods

EDI will ship as specified by the client. EDI has daily scheduled pickups by UPS and FedEx. LTL and Truck Load shipments are arranged from EDI on a daily basis. EDI can schedule shipment through a forwarder or broker.

Returned Goods

EDI will accept return of goods which have not been installed or operated and are in the original shipping carton. A 15% restocking charge will apply to all returns. All materials to be returned must be accompanied by an EDI Returned Material Authorization (RMA) number. Contact EDI for RMA information prior to return of product. Special order items cannot be returned.

continued

Customers in the U.S.A. and Canada

Payment Options

Acceptable payment methods are cash, company check, wire transfer or credit card (MasterCard, Visa or American Express). Diffuser Express encourages the use of credit card payment for purchases under \$2000.00.

Credit

EDI will ship to municipalities, private accounts, established industrial accounts and governmental agencies on open account with approved credit.

International Customers

Payment Options

Typical international payment terms are prepayment via company check, wire transfer, or credit card (MasterCard, Visa or American Express). Payment via Letter of Credit is also acceptable and sometimes preferable for large quantity purchases.



Contact Us

North America - Headquarters
(Design, Manufacturing and Warehouse)
5601 Paris Rd
Columbia MO 65202

P: +1-573-474-9456
F: +1-573-474-6988
EDI.marketing@environmentaldynamics.com

Europe
(Design, Manufacturing and Warehouse)
Twyford Mill, Oxford Road
Adderbury, Banbury, OX17 3SX, UK

P: +44-(0)-1295-810581
F: +44-(0)-1295-811997
EDI.Europe@wastewater.com



Environmental Dynamics International
5601 Paris Rd Columbia MO 65202
+1 (573)-474-9456