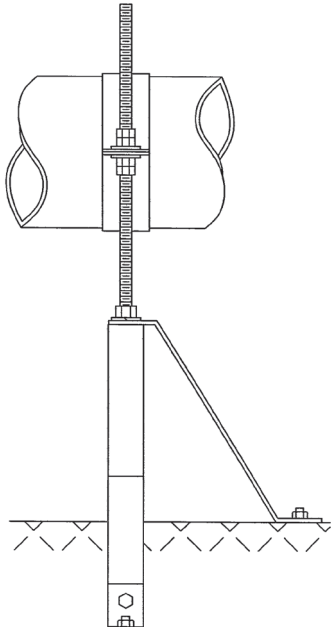
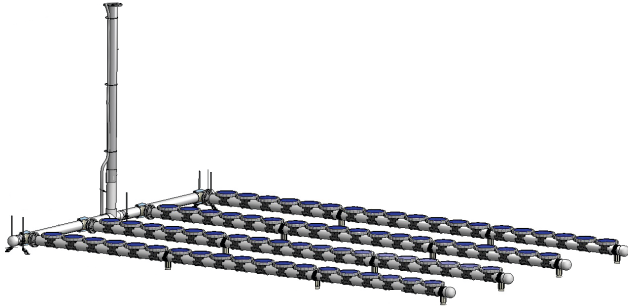
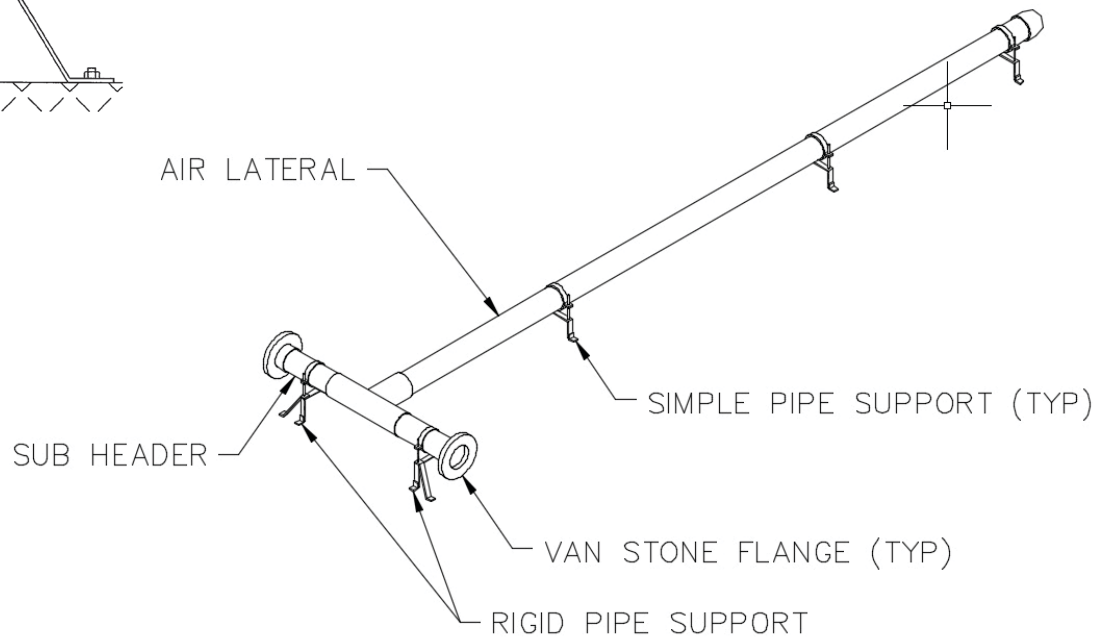


Fixed Grid Disc System



- Factory manufactured components with flanged mechanical connections for ease of installation
- No size constraint on drops and headers, nominal 3" (90 mm) and 4" (110 mm) for distribution laterals
- Accommodates variable water level applications
- Fixed pipe joints for increased service life and simple maintenance
- Stainless steel supports standard for header sections, and glass-filled polypropylene SuperStrut™ supports standard for distribution laterals
- Compatible with all pipe materials and wall thicknesses for heat resistance, chemical resistance, or when maximum durability is desired.



DIFFUSER ASSEMBLIES
REMOVED FOR CLARITY