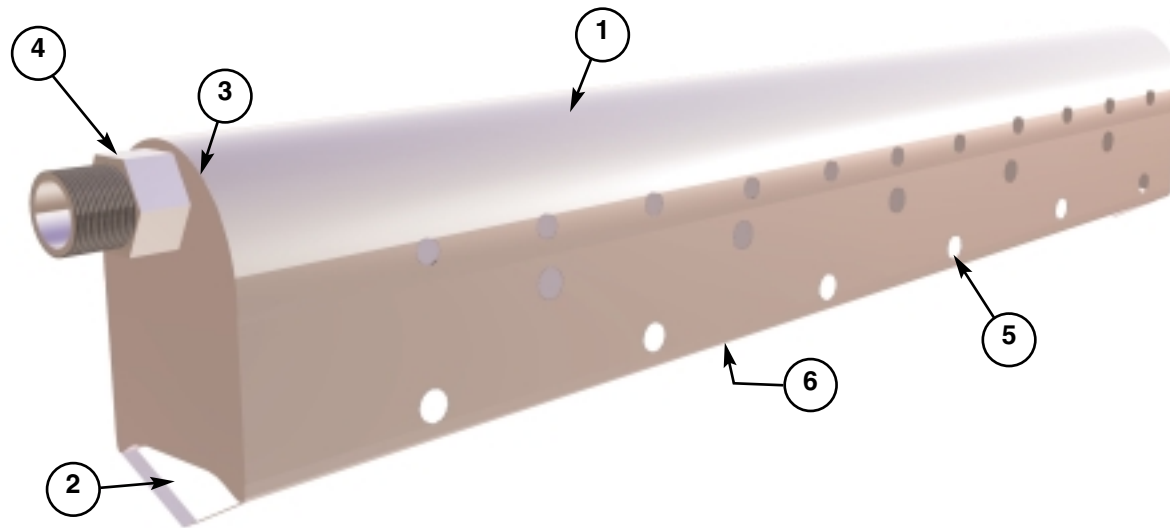


EDI MaxAir™ SS Diffuser

316 Stainless Steel



1. 316 stainless steel diffuser body
2. Purge for closed bottom option
3. Continuous weld
4. Integral hex nut
5. Diffuser orifices
6. Standard open bottom deflector



FEATURES & BENEFITS

EDI's MaxAir SS stainless steel bubble diffusers offer proven design and are ideal for both mixing and aeration applications.

The MaxAir SS is available with either an open or closed bottom. The body is continuously welded to the ends for superior performance and years of service.

Compare the construction, performance and price of the EDI MaxAir SS with other wide band coarse bubble diffuser units on the market and you will agree that the MaxAir SS is the best value.

- All 316 stainless steel construction
- Proven design
- Open or closed bottom available
- Broad band coverage
- Heavy duty construction
- Superior Mixing
- Units in stock for immediate shipment

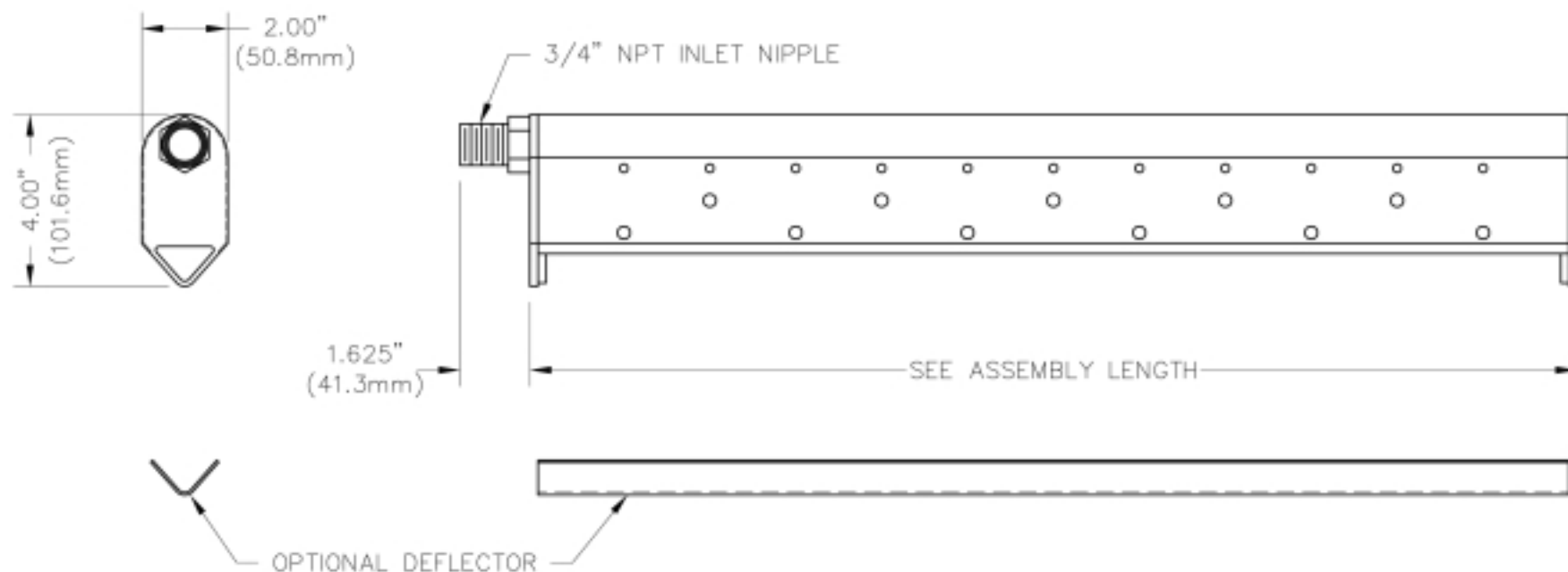


Environmental Dynamics Inc.

5601 Paris Road
Columbia, MO 65202
PH 573-474-9456
FAX 573-474-6988

Diffuser Express®

sales@DiffuserExpress.com
www.DiffuserExpress.com



Model	Unit Airflow Range scfm	Unit Airflow Range NM ³ /hr	Design Airflow Range scfm	Design Airflow Range NM ³ /hr	Unit DWP Range Inches H ₂ O	Assembly Length inches	Assembly Length mm	Dry Weight pounds	Dry Weight Kg
MaxAir 12 (Open Bottom)	0 - 30	0 - 51	0-18	0-30.6	0.5-2.9	12.4	314	1.5	0.68
MaxAir 24 (Open Bottom)	0 - 55	0 - 93.5	0-36	0-61.2	0.5-7.0	24.4	629	2.32	1.05
MaxAir 12 (w/ Deflector)	0 -30	0 - 51	0-18	0-30.6	0.5-2.9	12.4	314	1.76	0.80
MaxAir 24 (w/ Deflector)	0 - 55	0 - 93.5	0-36	0-61.2	0.5-7.0	24.4	629	2.64	1.20

MAXAIR™ S.S. COARSE BUBBLE DIFFUSER
SALES AND INSTALLATION DRAWING

SCALE: **N.T.S.** | ENG: **MJK** | DWN: **TEM** | DATE: **10-4-01**

REF.DWG: | REV.DATE: | REV:



ENVIRONMENTAL DYNAMICS INC.
 COLUMBIA, MISSOURI USA

DWG.NO.
A-15627