

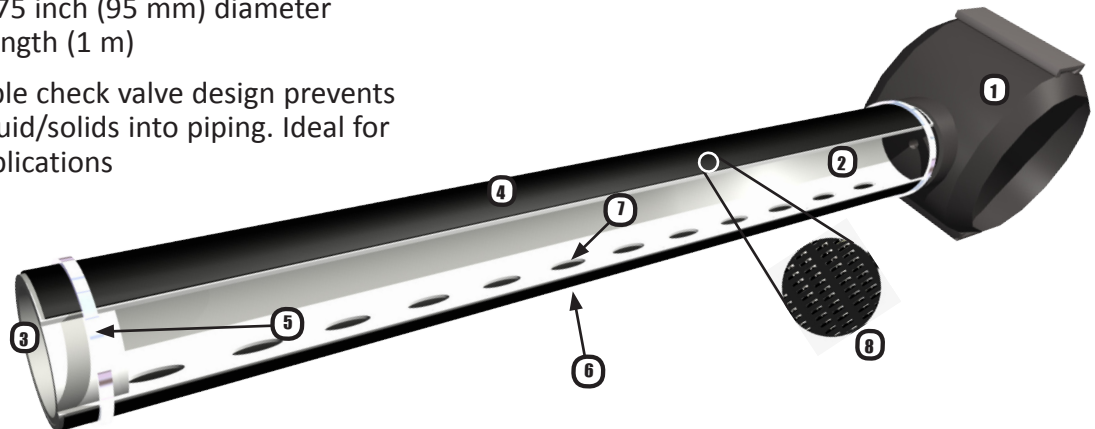
PRODUCT SPECIFICATION SHEET

EDI FlexAir[®] Magnum[™] Diffuser

Fine Pore Flexible Membrane Technology

High Unit Capacity for Demanding Oxygenation and Mixing Applications

- Large perforated area for maximum air handling capacity - 380 in² (0.245 m²)
- Efficient geometry supports high density installations of over 65% floor coverage
- Precision die cut openings for high oxygen transfer, uniform air release, and low operating pressure
- Micropore and high capacity membrane options engineered for optimized OTE, air handling, and operating pressure requirements
- Advanced technology premium quality membranes available in EPDM, urethane, special polymer blends, plus BioShield[™] and BioCide[™] technologies for reduced fouling and maintenance
- Nominal 3.75 inch (95 mm) diameter x 39 inch length (1 m)
- Integral triple check valve design prevents entry of liquid/solids into piping. Ideal for on / off applications
- Resistant to fouling and plugging for low maintenance
- ABS and PVC construction for maximum chemical, temperature, and UV resistance
- Available in bouyant and non-bouyant models
- Spectrum[™] Saddle Mount for maximum mechanical integrity, ease of installation and maintenance, and ability to relocate or add diffusers for process modifications
- Spectrum[™] Saddle Mount mounts on any pipe material (PVC, ABS, CPVC, SS, etc.)
- Available in 4, 6 and 8 inch sizes and 110 mm 160 mm pipe sizes



- | | |
|--|----------------------------|
| 1. Spectrum [™] Saddle Mount | 5. Membrane Retainer Clamp |
| 2. Diffuser Body | 6. Check Valve Feature |
| 3. Diffuser Plug for Bouyant Unit
(*Non-Bouyant Design Available) | 7. Air Inlet |
| 4. Flexible Membrane Media Featuring
Full Circumferential Perforation | 8. Die Cut Perforations |



www.wastewater.com
Environmental Dynamics International

Value Solutions
Since 1975

PRODUCT SPECIFICATION SHEET

EDI FlexAir® Magnum™ is a fine pore, flexible membrane diffuser that provides maximum operational flexibility and aeration capacity.

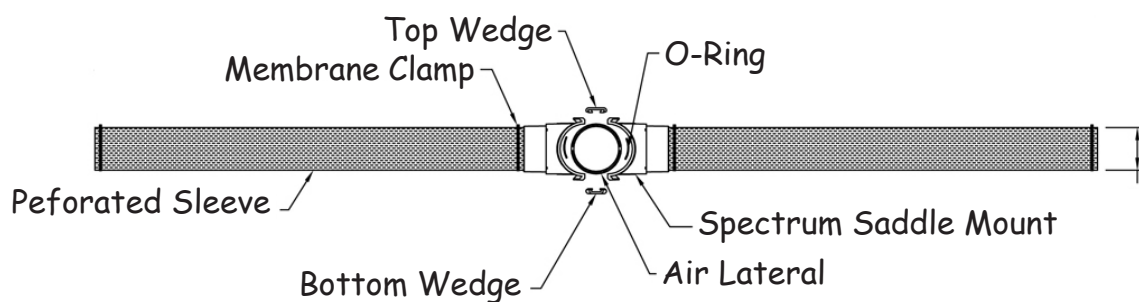
The Magnum diffuser features a full circumferential perforation design. This design produces optimum aeration capacity performance. A full 380 in² (0.245 m²) of perforated area is provided with a single Magnum diffuser. The geometry of the diffuser supports high diffuser density applications over 65% floor coverage when the highest aeration capacity is desired.

Unique to the FlexAir product is the ability to configure the Magnum diffuser with a MicroPore or high capacity membrane for optimized aeration capacity and engineered operating pressure performance. All FlexAir diffusers are configured with premium quality membranes engineered by the Membrane Technologies division at EDI. Alternate membrane materials and perforation designs are available for non-standard industrial or municipal applications.

An integral triple check valve feature prevents the backflow of liquid into the diffuser and piping. The FlexAir Magnum diffuser is ideally suited for on/off applications and requires minimal maintenance for long-term performance.

The standard FlexAir Magnum membrane support tube is constructed of PVC for maximum chemical resistance and mechanical durability. ABS construction is recommended for high temperature applications or where cold temperature durability is required.

The FlexAir Magnum diffuser is ideally suited for a wide variety of aeration and mixing applications including tank and lagoon facilities. For rigid piping applications, the FlexAir Magnum diffuser is available with the Spectrum Saddle Mount for maximum mechanical durability and ease of installation and maintenance. Unique to the Spectrum Saddle Mount is the ability to expand, relocate, reconfigure or add diffusers to match process demands.



	Diffuser Type	Design Airflow		Overall Length		Active Surface Area		Dry Weight		Net Operating Buoyancy	
		scfm	m ³ _N /h	in	mm	ft ²	m ²	lb	kg	lb	kg
84P	Micropore	0-50	0-79	92.9	2360	5.28	0.491	11	5.2	27	12
	High Cap	0-88	0-140	92.9	2360	5.28	0.491	11	5.2	27	12
42P	Micropore	0-25	0-40	53.4	1360	2.50	0.232	7.1	3.2	12	5.5
	High Cap	0-44	0-70	53.4	1360	2.50	0.232	7.1	3.2	12	5.5

- Optimum oxygen transfer efficiency is achieved when operating in the middle to low end of the airflow range. The approximate operating pressure of the diffuser at the mid-range is 13 to 16 inches (3.2-4.0 kPa).
- Operating the unit at the high end of the range will result in reduced performance and increased operating pressure. Use the maximum airflow value for short term operations such as peak loads or system maintenance.



Environmental Dynamics International

5601 Paris Road • Columbia, MO 65202 USA
+1 877.EDI.AIR8 (334.2478) +1 573.474.9456

For Parts Information:
parts@wastewater.com
www.diffuserexpress.com

For System Information:
systems@wastewater.com
www.wastewater.com